

SOWTER TYPE 9525

Exceptional Bandwidth Interstage Transformer for SE to SE

Applications

Primary 20K ohms 50 Henry 50 mA dc.
Secondary 20K. Bifilar winding ensures typically 75 KHz bandwidth. For use with SE drive to SE power stages. Must be used in non-inverting mode. Maximum applied dc voltage primary to secondary should not exceed 300 V. Fully shrouded package colour coded leads. Size H. For driving single ended power output stages from a single ended driver stage. Best performance is obtained when driven from a low impedance but a very good response is possible with up to 5k0 ohms. Must be used in non-inverting mode. Maximum applied dc voltage primary to secondary should not exceed 300 V.



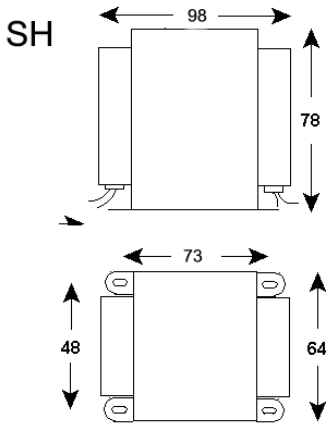
Features

High grade grain-oriented silicon iron (M6) core for minimal losses and harmonic distortion. Bifilar winding ensures minimal leakage inductance for an exceptional bandwidth. As the interwinding capacitance is fairly high the polarity of the connection must be observed (non-inverting see circuit below)..

Specifications

Ratio	Z ohms (nominal)	Primary inductance	I dc	DC Resistance either winding	Bandwidth (3 dB points)
1:1	20k:20k	50 H	50 mA	375 ohms	5Hz-110kHz (3000 ohm source)

Mechanicals



Primary

