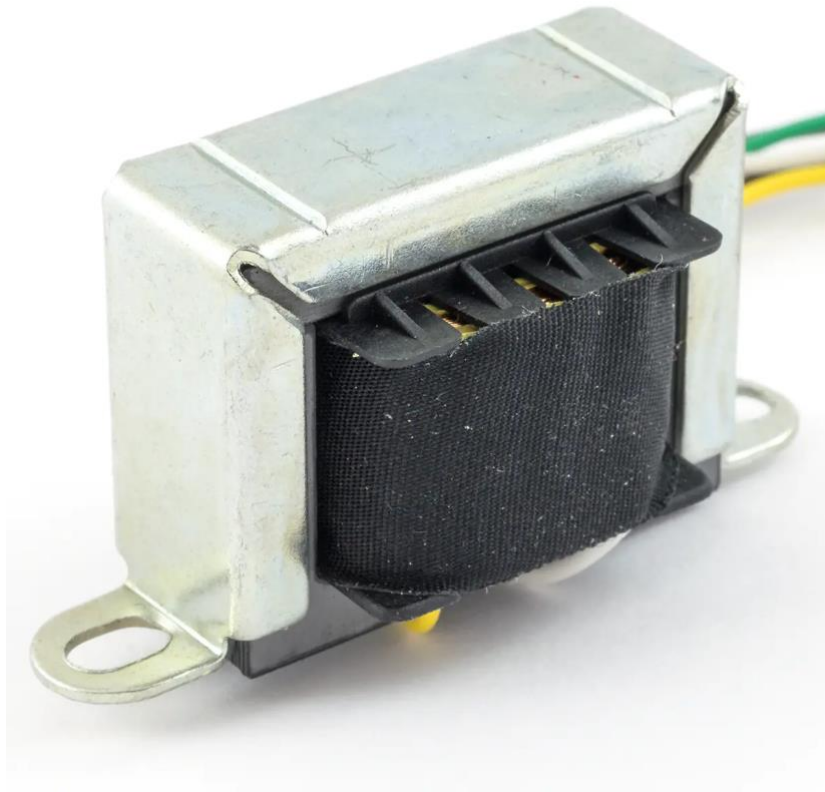


## SOWTER TYPE 1427

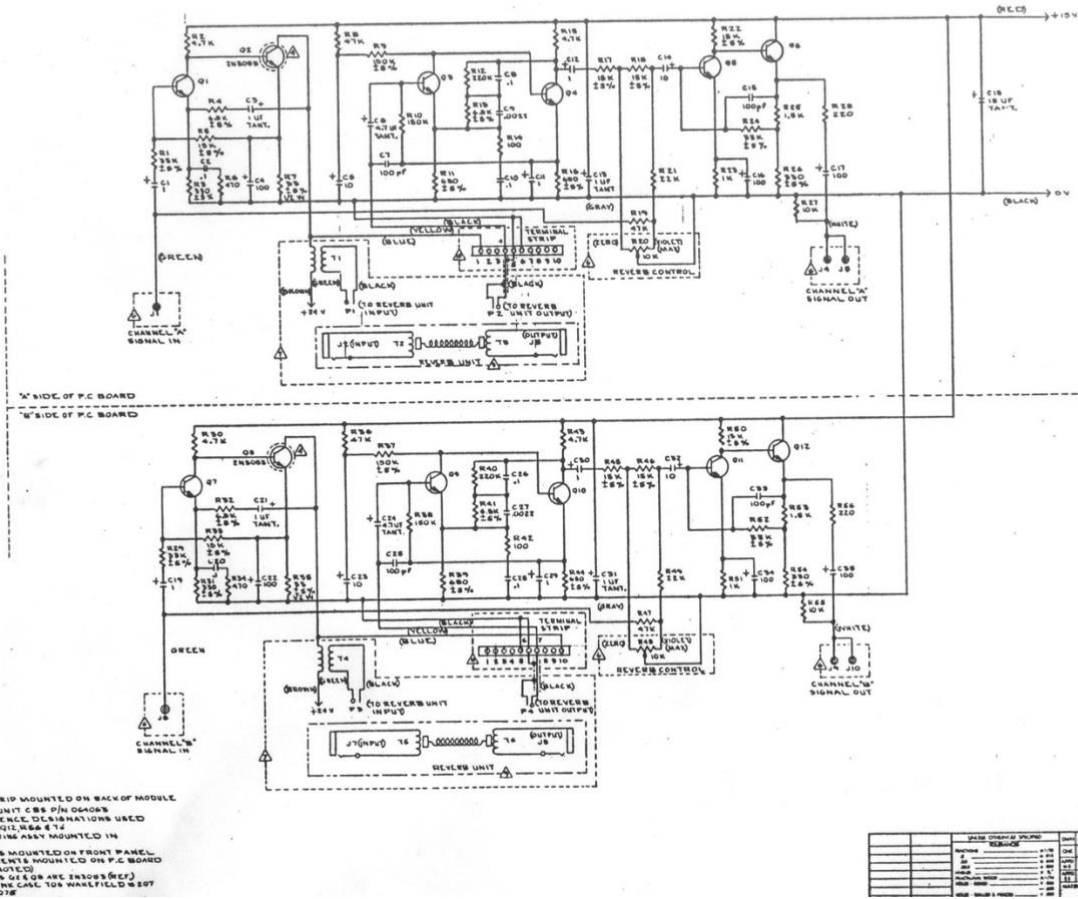
**Transistor Output Transformer. Suitable for 190 Spring Reverb Unit**

### Applications

Output transformer for transistor amplifier  
100 Ohms to 8 Ohms tapped at 4 Ohms.  
Primary inductance 0.75H DCR 13 Ohms  
Primary and 1.0 Ohms secondary. Max input  
10V at 50 Hz. Replacement for Triad TY-30X.  
Can be used with Push-Pull or Single Ended  
circuit (max dc 10 mA). Size: Pro Audio F.



## Mechanicals



REV	DATE	BY	CHKD	APP'D	DESCRIPTION
1	1/77				INITIAL DESIGN
2	2/77				REVISED
3	3/77				REVISED
4	4/77				REVISED
5	5/77				REVISED
6	6/77				REVISED
7	7/77				REVISED
8	8/77				REVISED
9	9/77				REVISED
10	10/77				REVISED
11	11/77				REVISED
12	12/77				REVISED

**CBS** TECHNICAL DEPARTMENT  
 DUAL REVERBERATION UNIT #190