

## SOWTER TYPE 1231 Altec 436c Bridging Input Transformer

### Applications

Exceptional bandwidth input transformer for Altec 436C. Peerless 4651A replacement. High impedance input transformer similar to Peerless 4651A. Tested with Drip board for Altec 436C compressor.

### Features

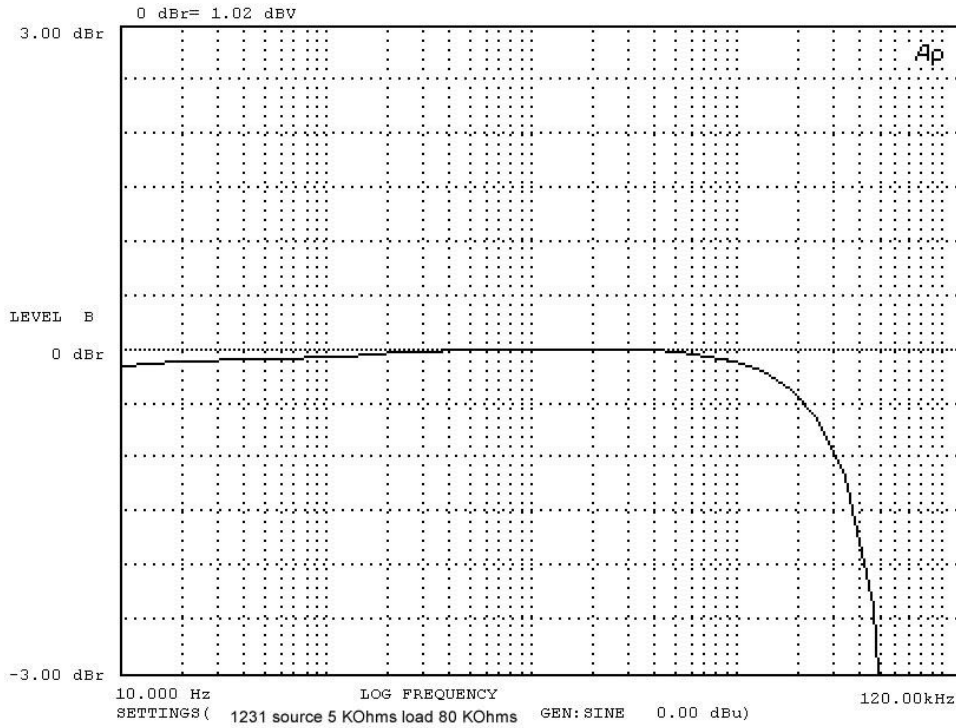
Large 100% Mumetal core to ensure a high inductance and high input impedance over a wide frequency range. 2 chamber bobbin to ensure full geometric balance. Available with threaded grommet (Style e) or 2 M3 threaded mounting holes (Style i).



## Specifications

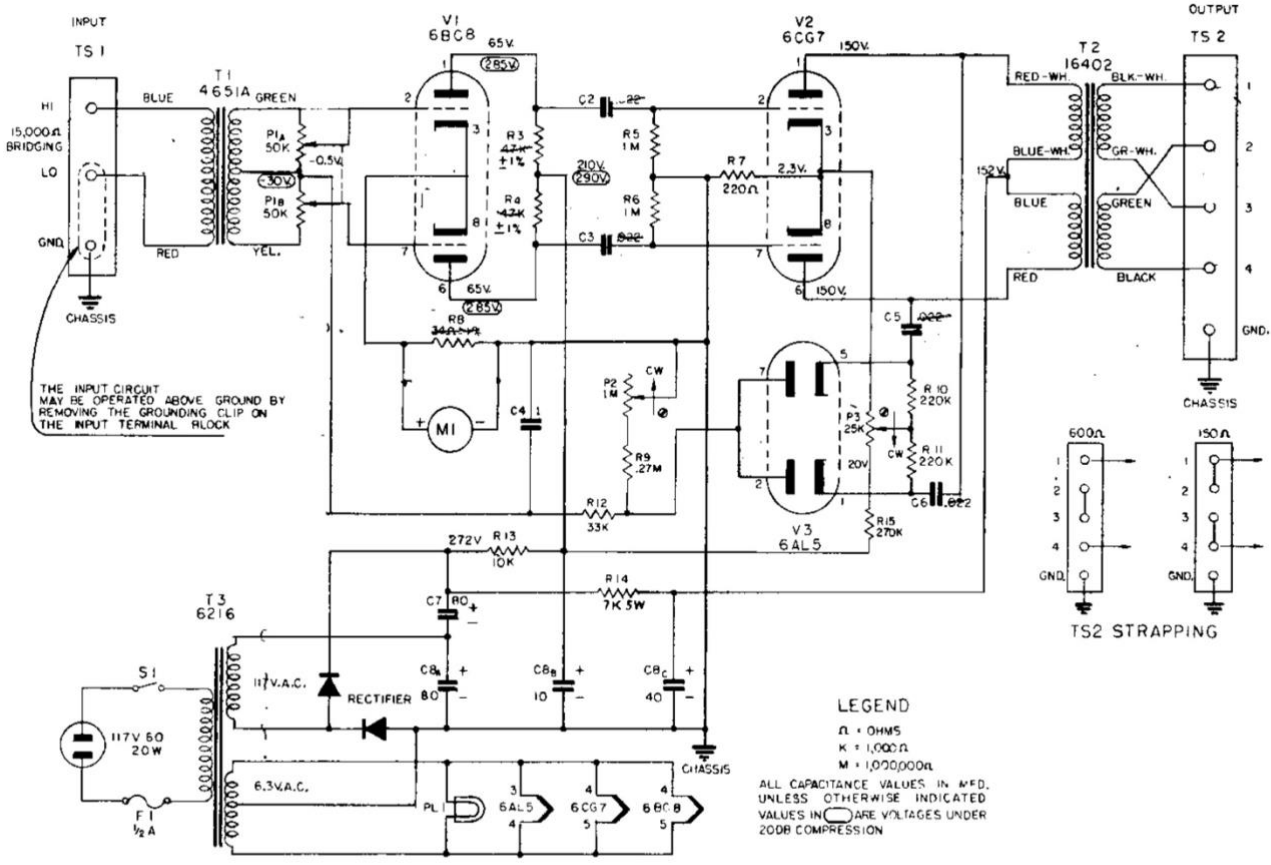
Item	Value
RATIO	1:2.3 CT
IMPEDANCE RATIO	15K/80K CT
MAXIMUM INPUT LEVEL 0.5 % THD at 50 Hz (40 ohm source)	37 dBu
PRIMARY INDUCTANCE	220 H approx
DC Resistance (primary)	485 Ohms approx
DC Resistance (secondary)	2800 Ohms approx
FREQUENCY RESPONSE 5 KOhm source 80 KOhm load. (-3 dB points)	5 Hz to 50 KHz

## Mechanicals



### 1231e





ALTEC LANSING  
 436C COMPRESSOR AMPLIFIER

FIRST MADE FOR

REV	DATE	BY	CHKD	CHG
1	11-23-51			

ALTEC  
 ANAHEIM, CALIFORNIA  
 SCHEMATIC