

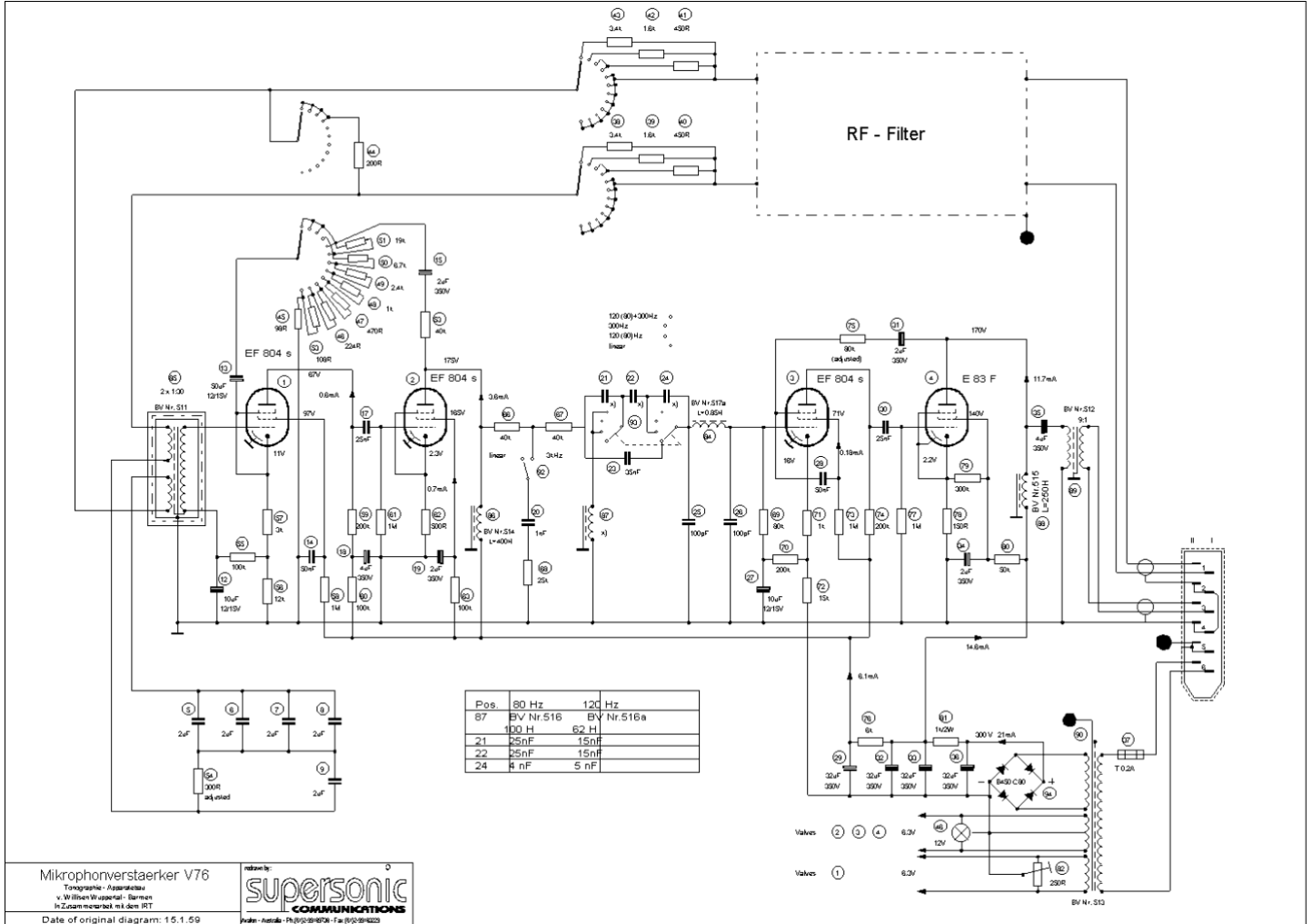
## SOWTER TYPE 1004 Telefunken V76 Input

### Applications

High performance high ratio 200 Ohm Mic input transformer. Ratio 0.5+0.5:30 100% Mumetal core. 6 winding sections with 4 internal electrostatic screens. Size j No clamp. Colour coded leads. Fits original can. Can be supplied with a 45 mm dia round can if required.



## Mechanicals



Mikrofonverstärker V76

Tonographie - Apparatebau  
 v. Wilfried Wappler, Bamberg  
 in Zusammenarbeit mit dem IRT

Date of original diagram: 15.1.59

reference:

**supersonic**  
**COMMUNICATIONS**

Andri - Austria - Ph: (0)20-8728 - Fax: (0)20-8722