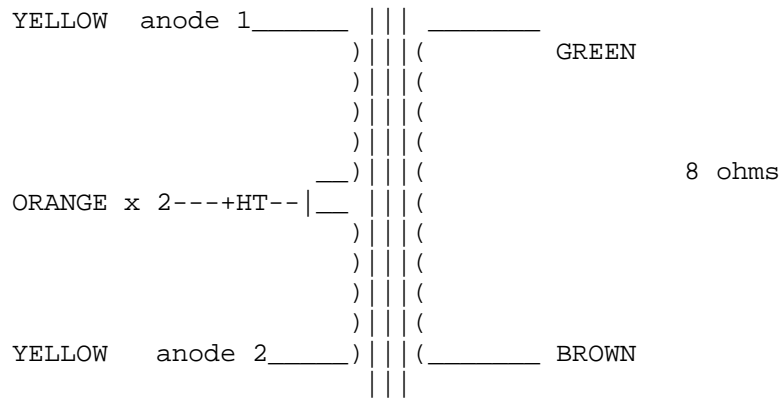


# UK77



## **UK77 PP Output for 6C33C-B Class A (originally U077)**

1200 ohms R1a-a. 75W at 20 Hz. 200 mA per side. 10 Hz to 50 kHz. Size P  
Secondary for 8 ohms only