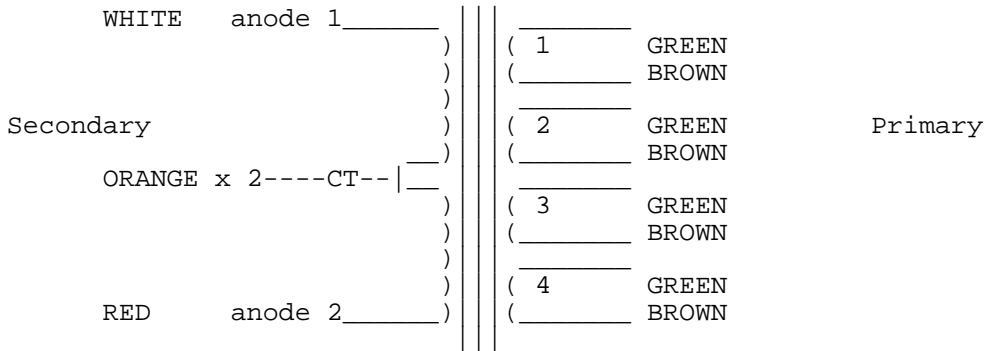
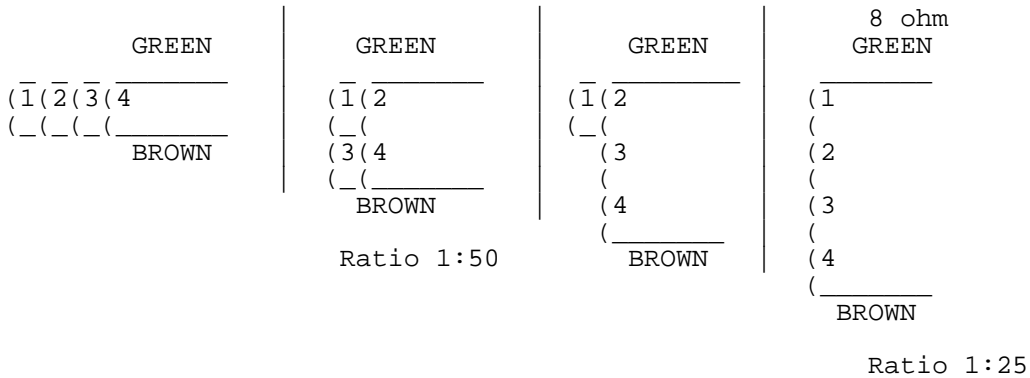


9999



PRIMARY WINDINGS

There are FOUR EQUAL PRIMARY WINDINGS which can be arranged thus:-



as explained by Brian Sowter in his e-mails.