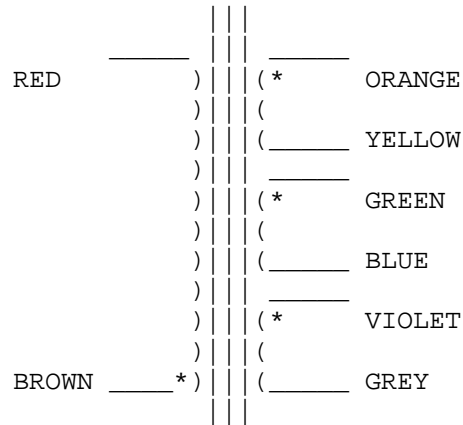


**9825**



\* denotes start of winding.

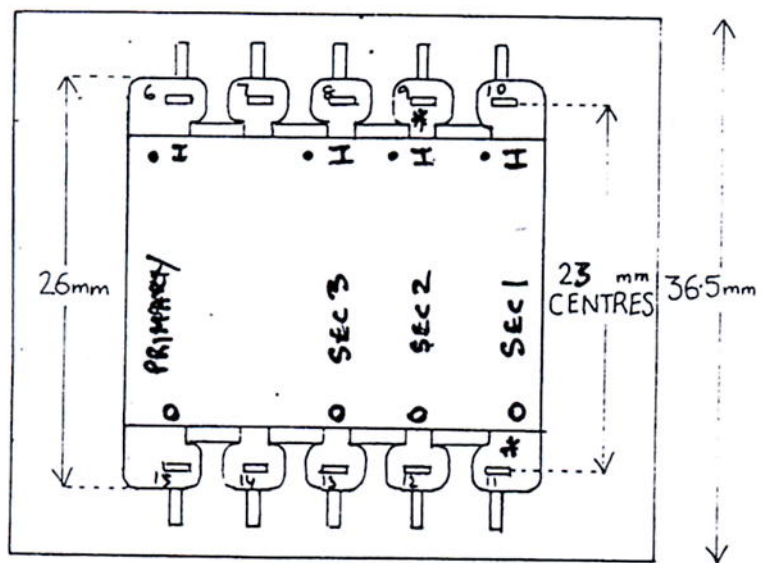
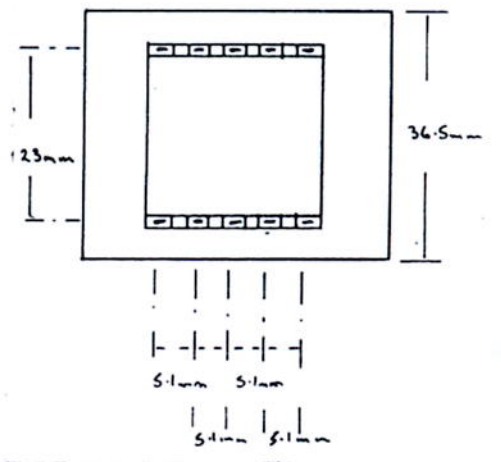
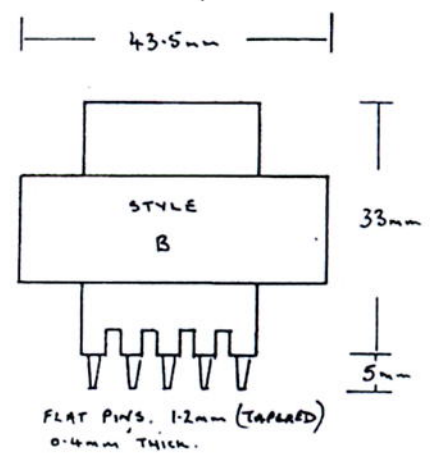
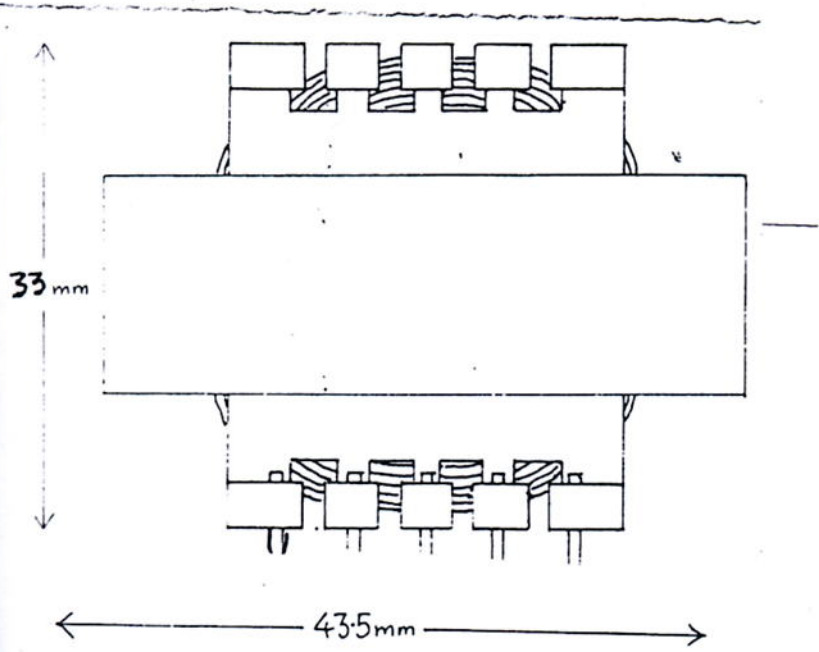
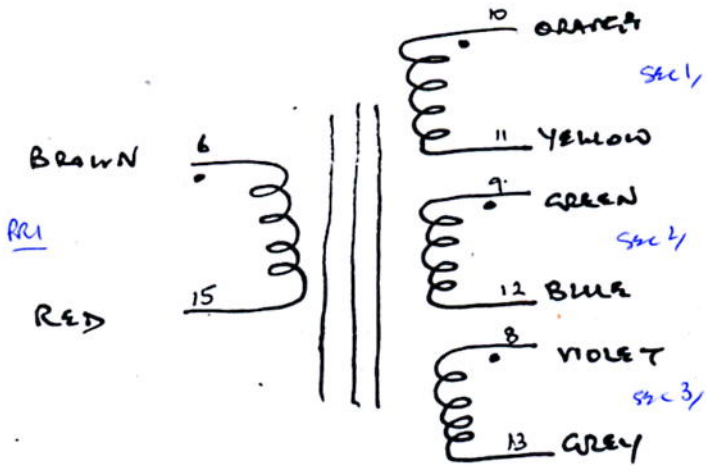
Join YELLOW and GREEN for centre-tap

To view the schematic please use the online shop.  
Search 9825 click 9825 click circuit.

**9825 API 312 Output type AP2503**

Replacement for API 2503-1/2. 4 identical 75ohm windings quadrifilar wound. A multipurpose transformer with an incredible HF response. +30 dBu output at 30 Hz configured as 1:2

9825



VIEWED WITH TRANSFORMER ON ITS BACK WITH PINS POINTING UPWARDS

\* JOIN SEC 10 AND SEC 2 I FOR CT