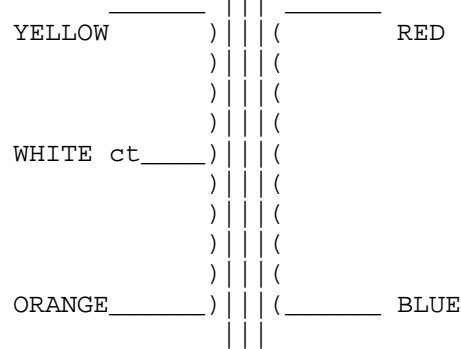


9821

Primary



Secondary