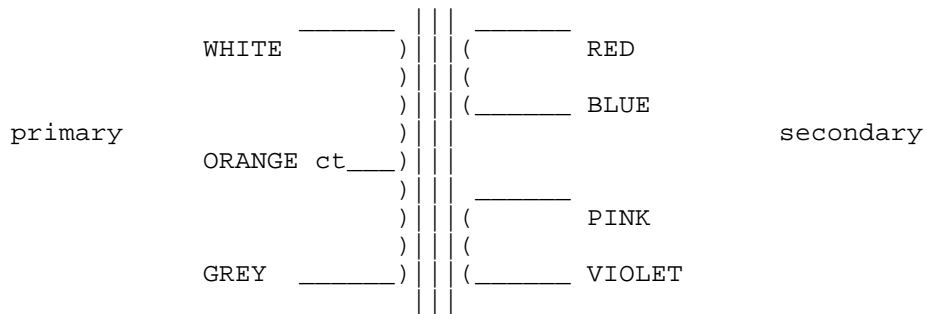


**9745**



Primary: 15k ohms centre-tapped

Secondary: 150 ohms + 150 ohms.  
Connect in series for 600 ohms use.  
Connect in parallel for 150 ohms use.

Turns Ratio: 10:1+1  
30mA dc max per side.

**9745 Altec 436C Line output**

15kCT/150+150 ohm output transformer for driving a balanced line from push-pull 6CG7 etc. 100% M6 core for high level capability and low distortion. Twin secondaries for 600/150 ohm outputs. Voltage ratio 10CT:1+1 Max dc per side of primary 30 mA. Colour coded leads. Size A Supplied with end frames for vertical or horizontal mounting.