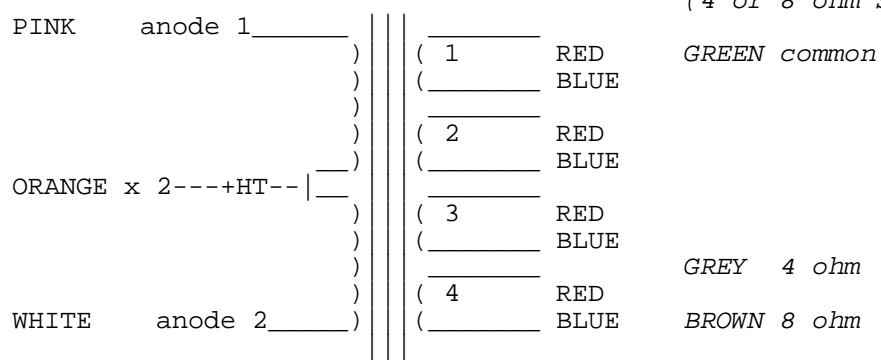


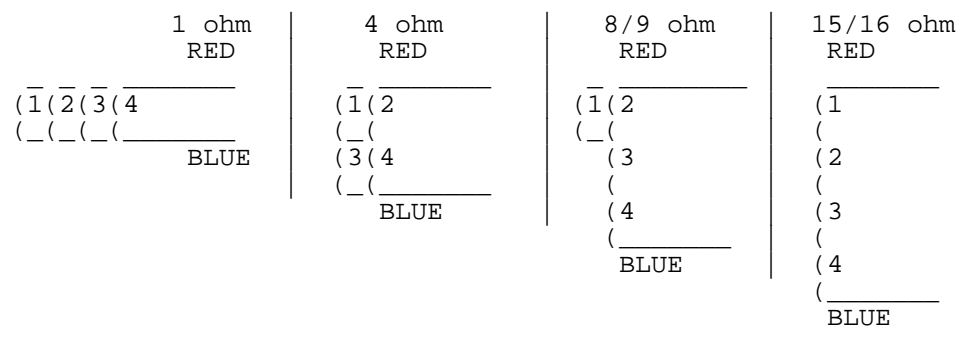
9738

(4 or 8 ohm Sec)



OUTPUT WINDINGS.

There are FOUR EQUAL SECONDARY WINDINGS which can be arranged for loads of 1, 4, 8/9 or 15/16 ohms thus:-



for PP845 with 750v

Ra-a 6kohm
dc per side 100mA