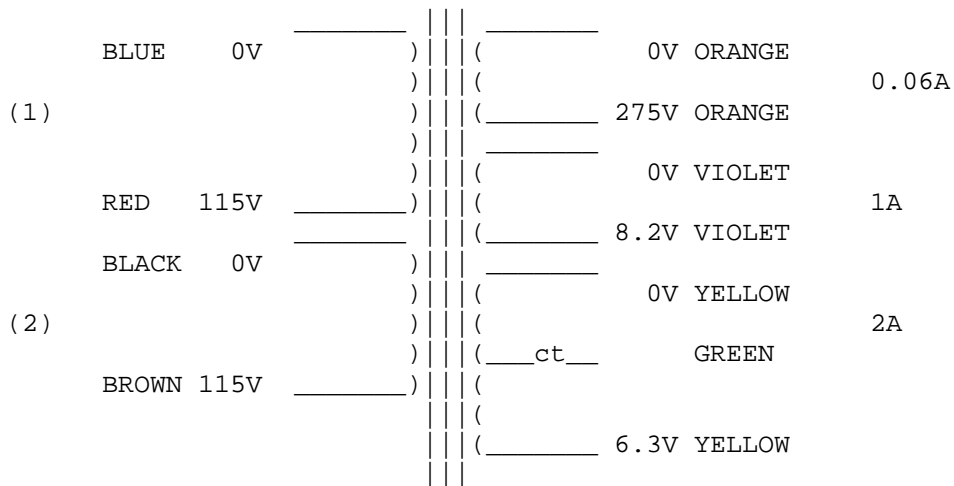


9496



For 230V: Join RED & BLACK. Use BLUE & BROWN

For 115V: Join BLUE & BLACK 0V and join RED & BROWN 115V.

Note: A certain amount of mechanical hum is prevalent in mains transformers and can be amplified when bolting to your metal work. Therefore you may find a small rubber gasket or similar material is worth fitting to quieten this hum to its' minimum, but please ensure the frame is grounded to the supply safety earth.