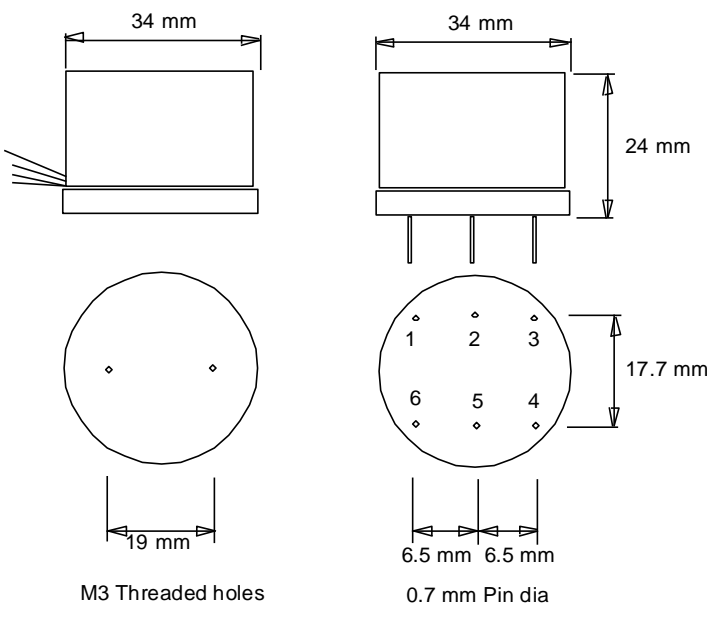


COLOUR CODE



9312

1/White	common	_____	
)	
4/Brown	0.45H	_____	
)	
5/Orange	1.10H	_____	
)	
6/Red	2.00H	_____	
)	

9312 (Superseded)

RED	common	_____	
)	
GREY	0.45H	_____)
)	
YELLOW	1.1H	_____)
)	
GREEN	2H	_____)
)	

Inductance values, tolerance +/- 10%