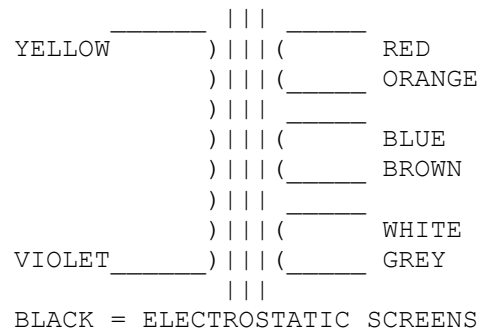


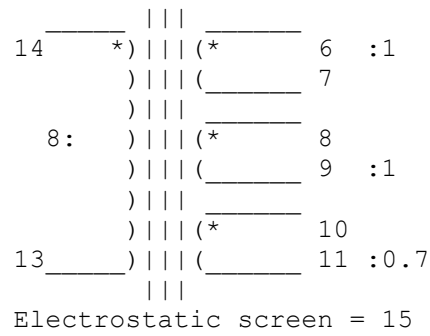
9129



9129 Telefunken V74 Output

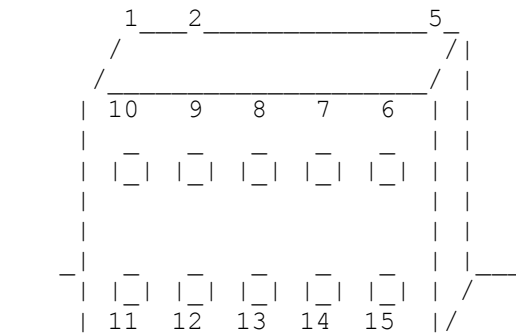
Ratio 8:1+1+.7 Max output level +20 dBu. 3 separate secondary windings.
100% M6 core. Original chassis may require holes drilling to fit.
Termination options Size j

9129b



* denotes start of winding.

Replacement for Telefunken V74 output transformer Ratio 8:1+1+0.7



9129 Telefunken V74 Output

Ratio 8:1+1+0.7 Max output level +20 dBu. 3 separate secondary windings.

100% M6 core. Original chassis may require holes drilling to fit.

Termination options Size j