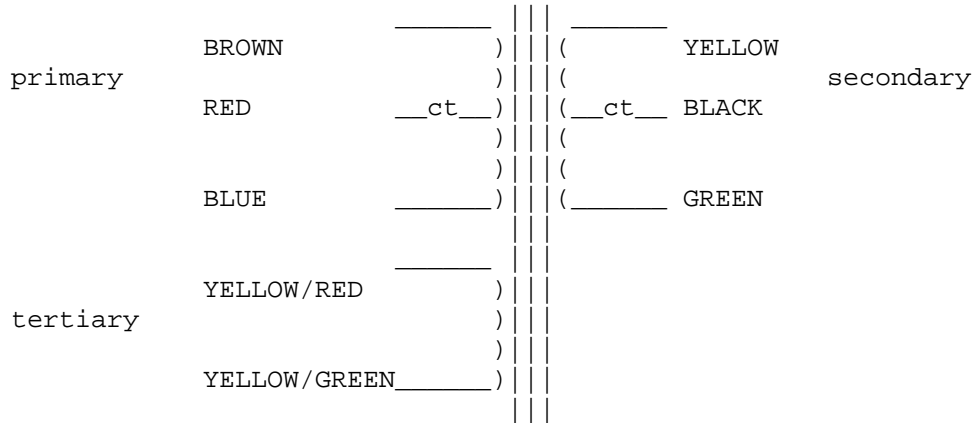


**9084**



**9084 Ampex 351 Line Output. 15K/600 +NFB**

Ratio 5.55CT:1CT:1. Separate winding for negative feedback.

Total dc resistance referred to primary 1500 ohms.

Max input level +38 dBu.

Fully shrouded package size SA.

Colour coded leads.