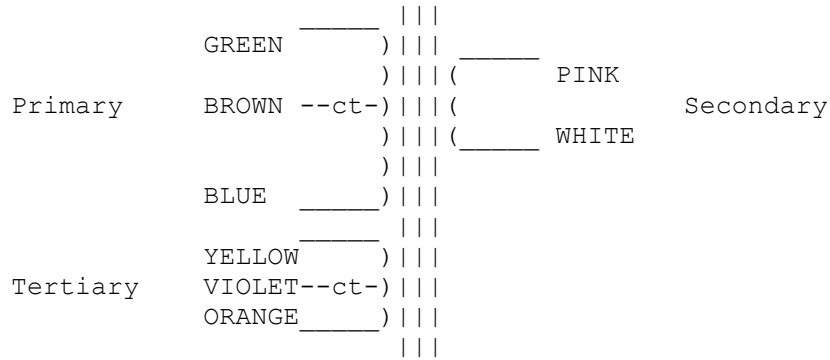


9041a

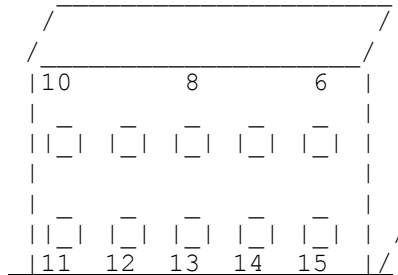
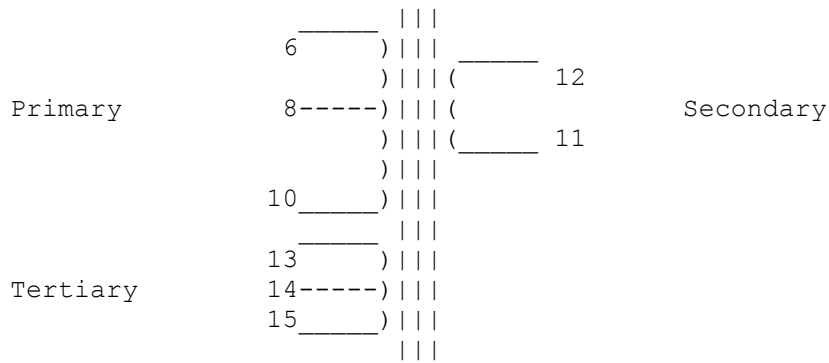


The data sheet can be viewed on our website www.sowter.co.uk
Select Type Index then click on 9041

9041 Push-Pull triode to balanced line 5CT:1

15k/600 ohm output transformer for driving a balanced ohm line from push-pull 6SN7, ECC83 etc.
70% Mumetal core for high bandwidth and dynamic range,
Max output level at 50 Hz +23 dBu (11 volts).
Total dc resistance ref secondary 39 ohms

9041b



The data sheet can be viewed on our website www.sowter.co.uk
Select Type Index then click 9041

9041 Push-Pull triode to balanced line 5CT:1

15k/600 ohm output transformer for driving a balanced ohm line from push-pull 6SN7, ECC83 etc.
70% Mumetal core for high bandwidth and dynamic range, Max output level at 50 Hz +23 dBu (11 volts).
Total dc resistance ref secondary 39 ohms. PCB version Size j.