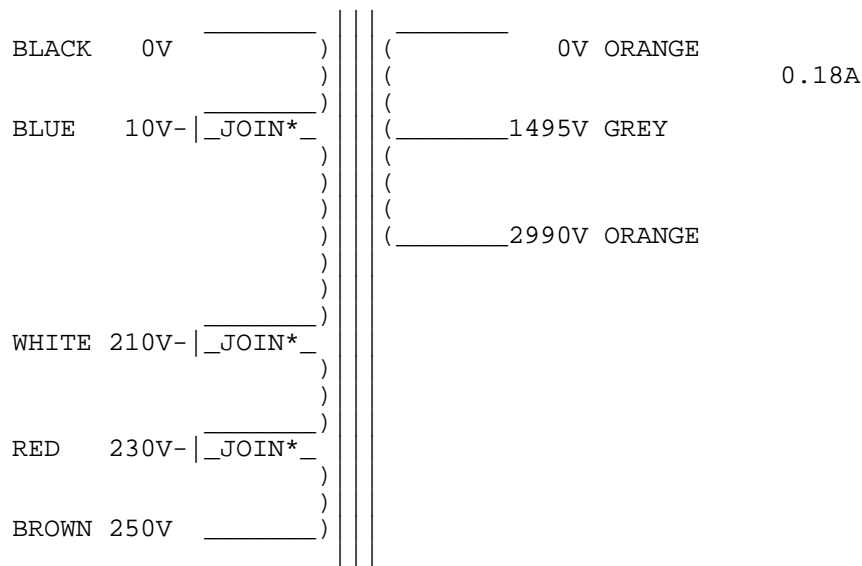


**8922**



To obtain other inputs use as follows:

10V tap in place of 0V terminal thus:

**BLUE/BROWN = 240V**

**BLUE/RED = 220V**

**BLUE/WHITE = 200V**

**\* FOR PRIMARY WINDING WITH SOLID CORE WIRE AND SLEEVING**

You will note that the Primary is built up in sections and the two wires in the Blue, White and Red sleeves **must always be individually joined** to make the primary circuit complete. **Spare connections not required** can be cut short, **each colour joined separately and isolated**. The solid wire inside the sleeving is coated with polyurethane and needs to be **stripped away and tinned** if the leads are shortened.

**FOR FLEXIBLE LEADS PRIMARY** - just cut short and isolate any spare connections

Note: A certain amount of mechanical hum is prevalent in mains transformers and can be amplified when bolting to your metal work. Therefore you may find a small rubber casket or similar material is worth fitting to quieten this hum to its' minimum, but please ensure the frame is grounded to the supply safety earth.