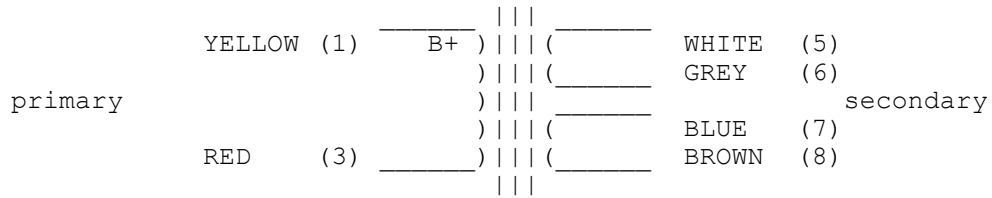


8751a



The brackets signify the numbers on the Neve circuit

For use in Neve1272 circuit

8751 Neve/Darlington Line Output

Ratio 1:1.5. Sowter replacement design for Neve P/N L01166.

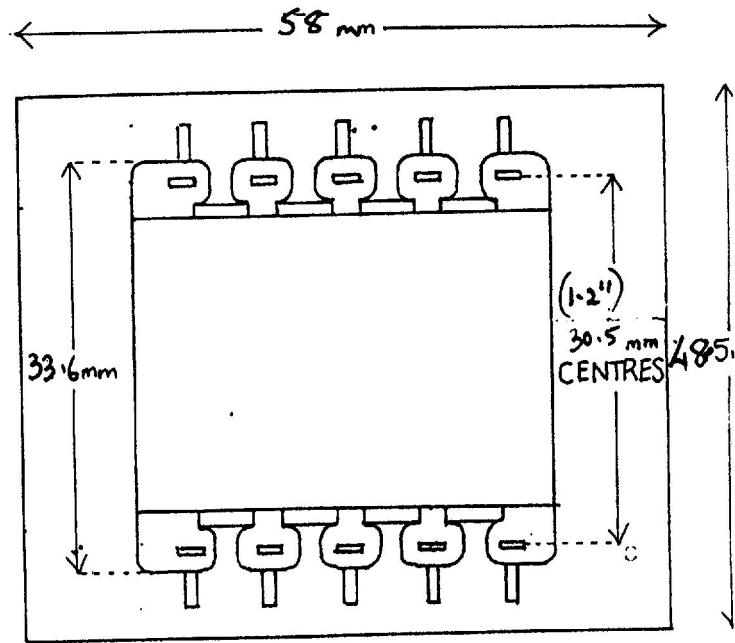
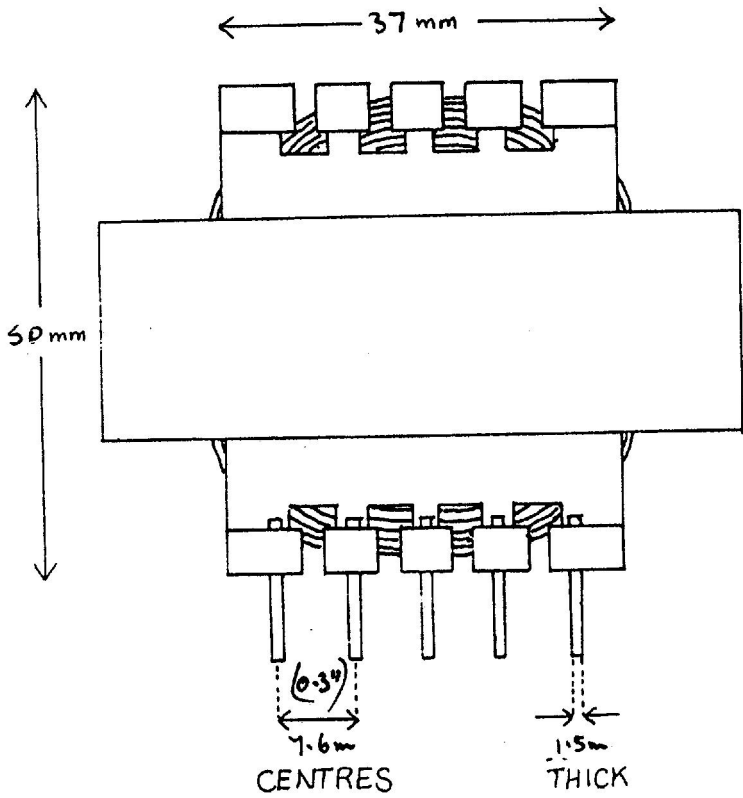
Optimised for voltage drive circuit.

Max output level +30 dBu.

Total dc resistance ref secondary 39 ohms.

Size "OB" (Width 46 mm)

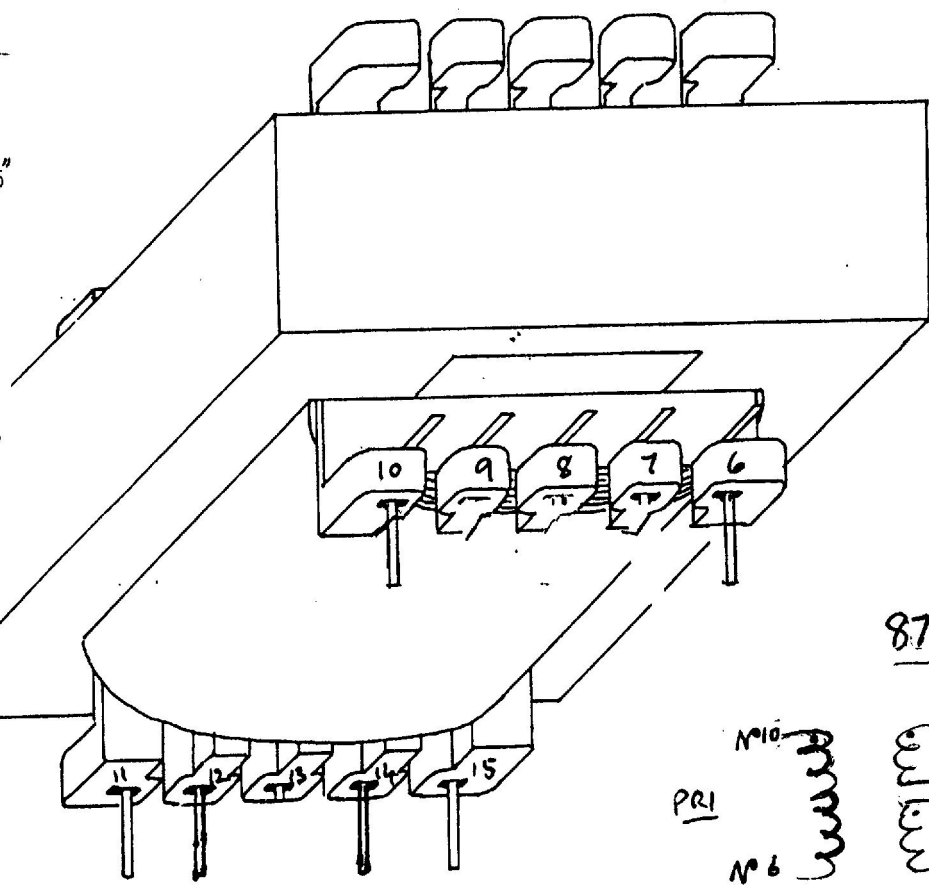
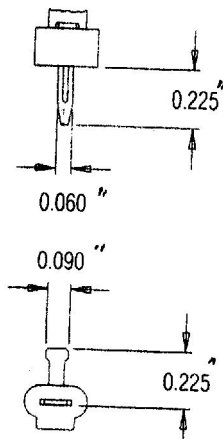
4 BOLT HOLES IN CORNERS OF LAMINATIONS FOR ADDITIONAL MOUNTING
 AT 48mm x 38.5mm (4mm DIAMETER)



PIN DIMENSIONS

FBS-903

Matl: 0.020"



8751'b

