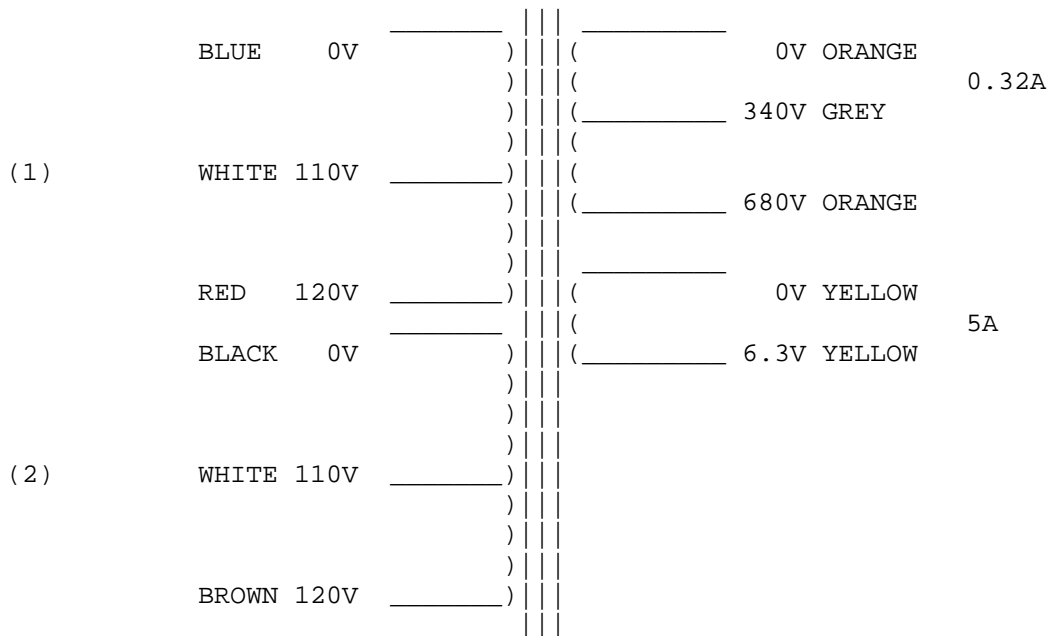


8708



For 240V: Join RED & BLACK. Use BLUE & BROWN
(Isolate both WHITES separately)

For 120V: Join BLUE & BLACK 0V and join RED & BROWN 120V.
(Isolate both WHITES)

For 110V: Join BLUE & BLACK 0V and join both WHITES 110V.
(Isolate RED & Isolate BROWN)

If the White leads are cut short please ensure the TWO wires
inside the sleeving are joined together in BOTH cases.

Note: A certain amount of mechanical hum is prevalent in mains
transformers and can be amplified when bolting to your metal work.
Therefore you may find a small rubber casket or similar material
is worth fitting to quieten this hum to its' minimum, but please
ensure the frame is grounded to the supply safety earth.