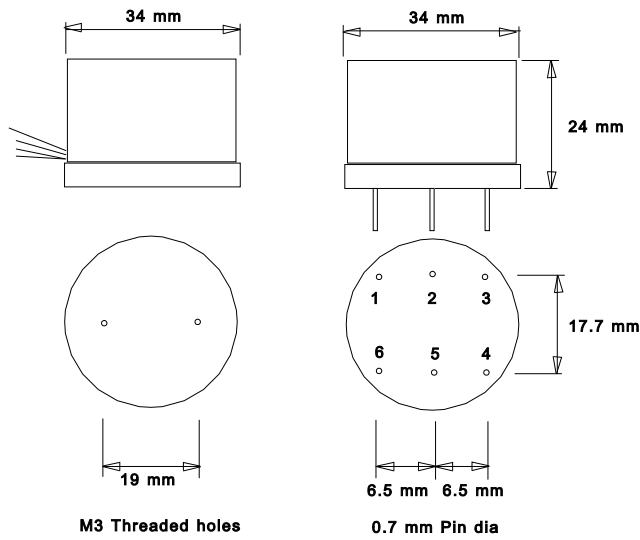
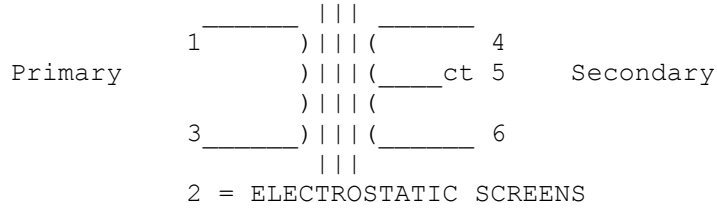


8540c



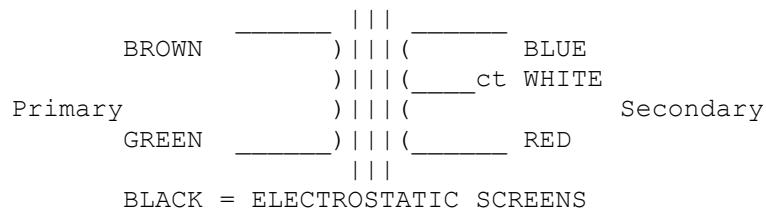
Black dot marks screen

8540 600/10kCT 1:4 Mic/Line input/output transformer.

May be used for 1:4 voltage gain for a mic/line input or used in reverse for matching a CD player or sound card to a 600 ohm line. Total dc resistance 112 ohms ref primary. High performance input or low power output tube, IC or transistor amplifier. Must be ac coupled when used for output. CT output for phase splitting etc.. Mumetal can. +16 dBu on 600 ohm side.

COLOUR CODE

8540f



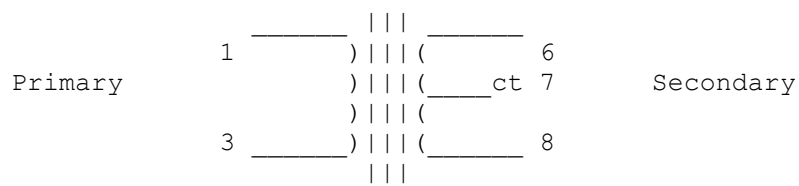
DO NOT screw into transformer more than 3mm

8540 600/10kCT 1:4 Mic/Line input/output transformer.

May be used for 1:4 voltage gain for a mic/line input or used in reverse for matching a CD player or sound card to a 600 ohm line. Total dc resistance 112 ohms ref primary. High performance input or low power output tube, IC or transistor amplifier. Must be ac coupled when used for output. CT output for phase splitting etc.. Mumetal can. +16 dBu on 600 ohm side.

COLOUR CODE

8540g



5 = ELECTROSTATIC SCREENS

8540 600/10kCT 1:4 Mic/Line input/output transformer.

May be used for 1:4 voltage gain for a mic/line input or used in reverse for matching a CD player or sound card to a 600 ohm line. Total dc resistance 112 ohms ref primary. High performance input or low power output tube, IC or transistor amplifier. Must be ac coupled when used for output. CT output for phase splitting etc.. Mumetal can. +16 dBu on 600 ohm side. Octal version