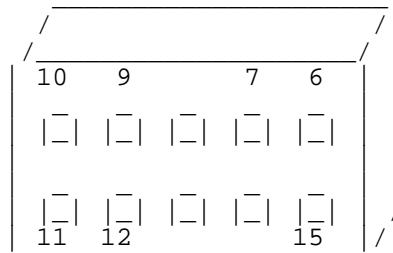
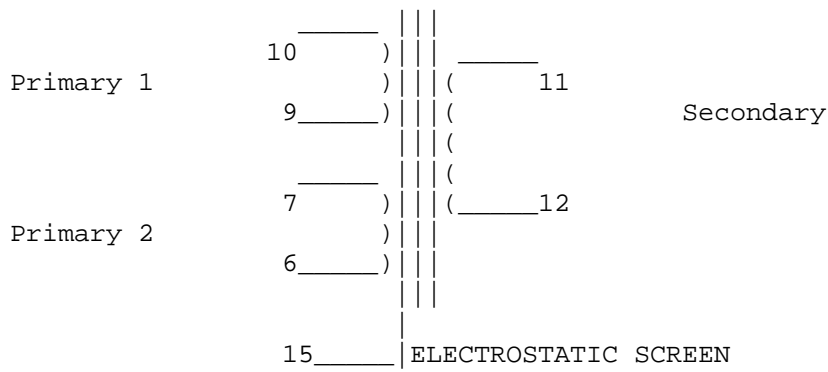
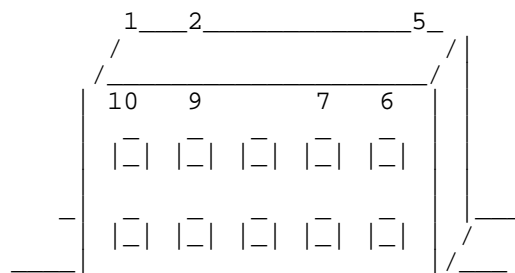
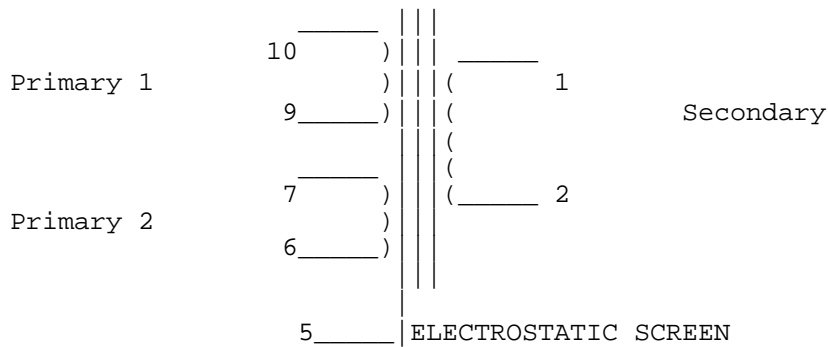


8403b



8403x



8403 150+150/600 Output Transformer

High level line output. Ideal for isolating outputs or can be driven from a single or pair of op amps. Faraday shields for high CMR +34 dBu PCB option

The datasheet can be downloaded from our website www.sowter.co.uk search 8403 and follow the links

