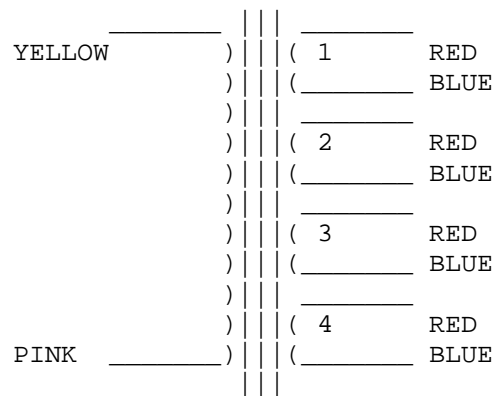
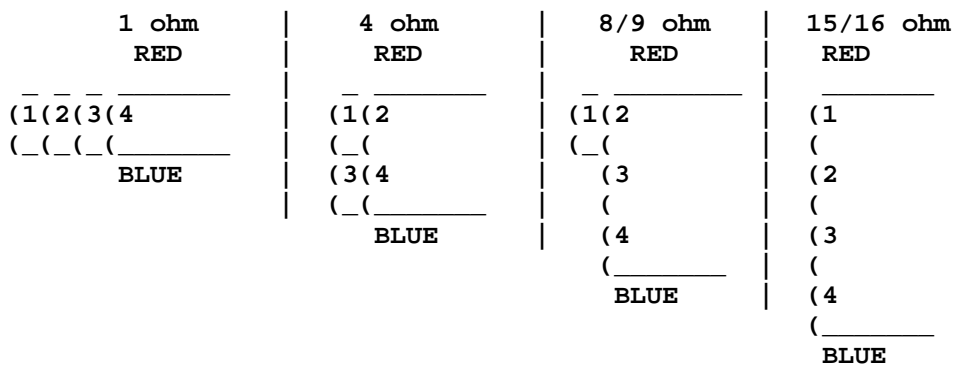


8352



OUTPUT WINDINGS.

There are **FOUR EQUAL SECONDARY WINDINGS** which can be arranged for loads of **1, 4, 8/9 or 15/16 ohms** thus:-



8352: 50 Watt SingleEnded Output transformer
 Primary Impedance 5000 ohms. Secondary Inpedance 16/8/4 or 1 ohms
 Frequency Response 30Hz to 20kHz.
 DC current 120mA