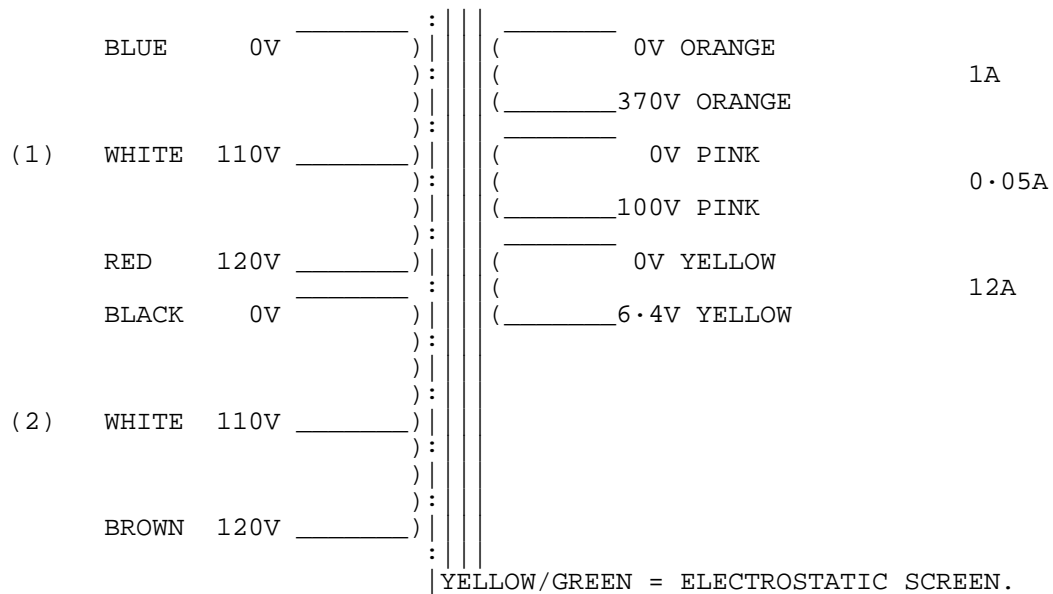


8226

For 240V: Join RED & BLACK. Use BLUE & BROWN
(Isolate both WHITES)

For 120V: Join BLUE & BLACK 0V and join RED & BROWN 120V.
(Isolate both WHITES)

For 110V: Join BLUE & BLACK 0V and join both WHITES 110V.
(Isolate RED & BLACK)

If the White leads are cut short please ensure the TWO wires are joined together in BOTH cases.