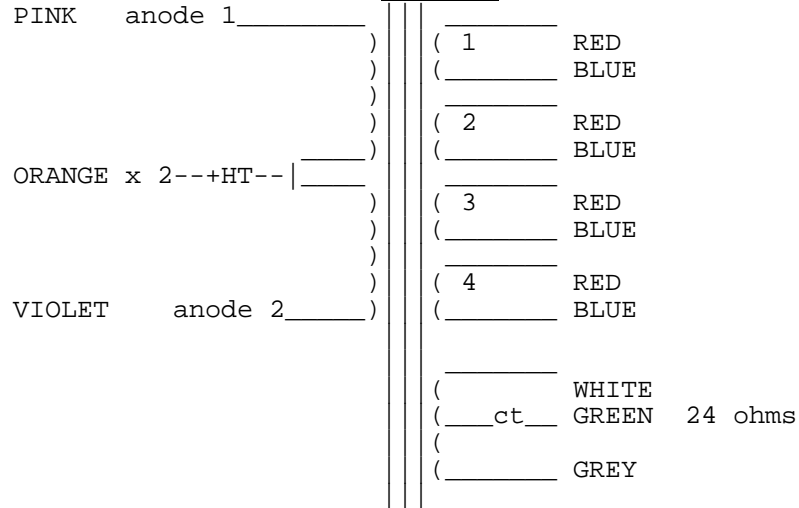


**8064**



**OUTPUT WINDINGS.**

There are **FOUR EQUAL SECONDARY WINDINGS** which can be arranged for loads of **1, 4, 8/9 or 15/16 ohms** thus:-

