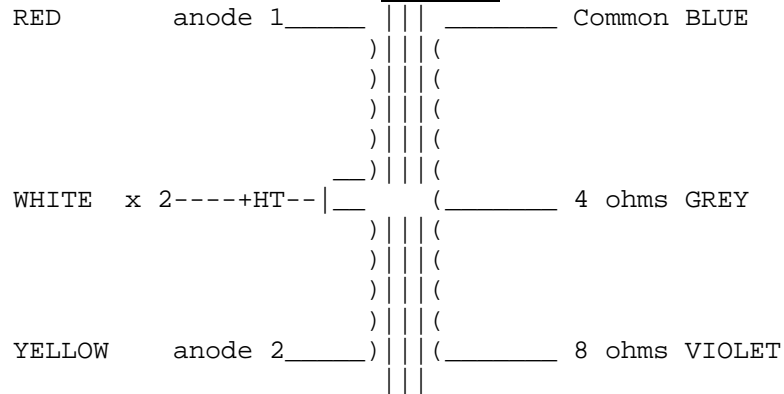


7712



15 WATT PUSH-PULL OUTPUT TRANSFORMER type number 7712.
Primary impedance 8000 ohms. Secondary impedance 8 ohms.
Frequency response 50Hz to 12kHz. DC current 46mA.
Weight 0.9kg approx. Dimensions 64mm x 76mm x 66mm approx.
8 ohm secondary will be tapped at 4 ohms.
Some distortion permitted at full power 50Hz.