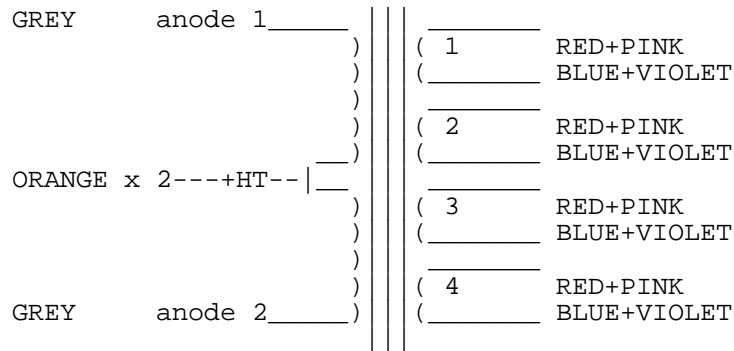
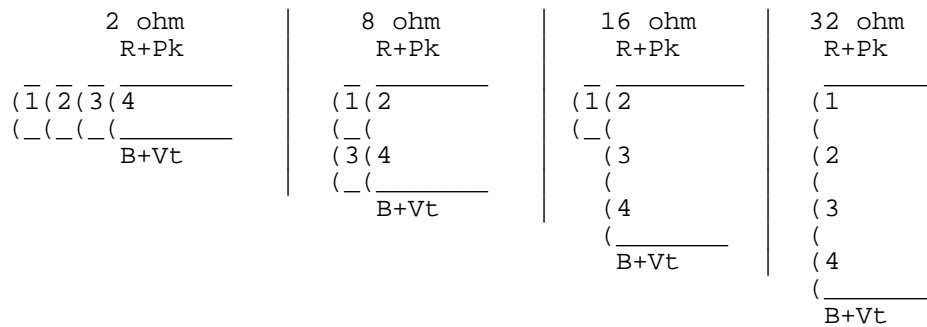


**6003**



**OUTPUT WINDINGS.**

There are FOUR EQUAL SECONDARY WINDINGS which can be arranged for nominal loads of 2, 8, 16 or 32 ohms thus:-



URNS  
RATIO = 75:1

37.5:1

25:1

18.75:1