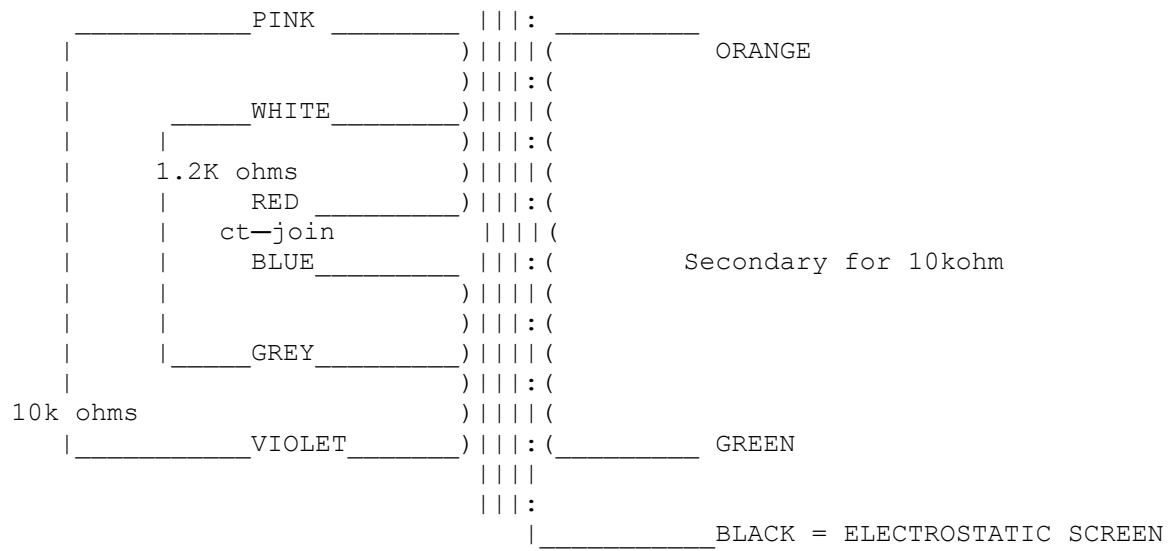


3777



10k/10k with primary tapped at 1.2k and centre tapped

Turns ratio , whole Primary : whole secondary = 1:1.034 (pri tap 0.295:1)
Frequency response +/- 1dB 20hz - 20kHz.
Max. Input 9Vrms at 30Hz

Capacity balanced winding for improved CMR.