

APPLICATION

Impedance matching and noise isolation for microphone inputs. Taps for switching to 60, 200, and 600 ohm inputs. Suitable for desks with an input impedance of 5k0 ohms and above. Bessel response (minimal overshoot) obtainable by connecting a 5k6 ohm resistor across secondary if used with higher impedance desks.

FEATURES Mumetal core for minimal harmonic distortion. Heavy gauge Mumetal can for magnetic shielding.

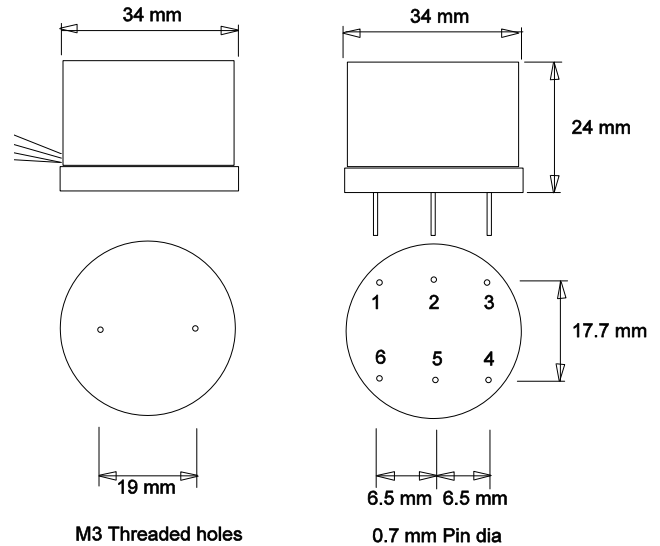
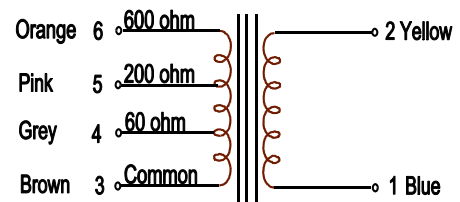
INPUT TAP:	60	200	600
RATIO	1:9	1:5	1:3
MAXIMUM LEVEL 0.5 % THD at 50 Hz (40 ohm source)	0 dBu	+6 dBu	+11 dBu
DISTORTION at 50 Hz (40 ohm source)	0.1% at -6 dBu	0.1% at +4 dBu	0.1% at +8 dBu
INSERTION LOSS	1.68 dB	1.34 dB	1.09 dB
INPUT/OUTPUT BALANCE	>50 dB	>50 dB	>50 dB
FREQUENCY RESPONSE (+/- 0.25 dB) 5k6 ohm load	15Hz to 45 kHz	15 Hz to 45 kHz	15Hz to 65 kHz

Typical frequency response when used with 200 ohm source and 5k6 ohm load

Sowter Type 3678

60,200,600 / 5K

Multi-Purpose Input Transformer

Package options**Connections**

PACKAGE OPTIONS	Part Number	Canford Product Code
Coloured Leads	3678-F	
PCB Mounting	3678-C	

Works: E A Sowter Ltd
PO Box 36 IPSWICH
IP1 2EL
TEL: +44 (0)1473 252794
FAX: +44 (0)1473 236188

SOWTER EST. 1941
TRANSFORMERS

Technical Support:
Brian Sowter
Eur Ing FIEE MAES
TEL: +44 (0)1962 620135
FAX: +44 (0)1962 870299