

APPLICATION

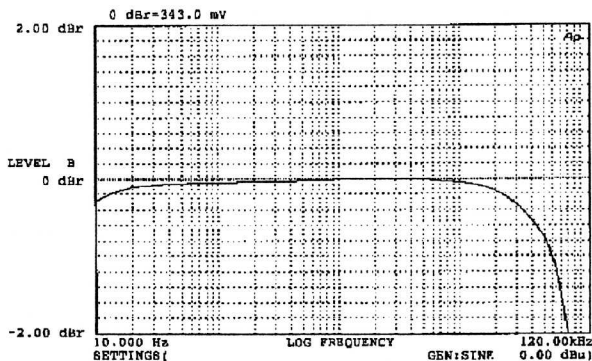
Electrical isolation where source or load are low impedance. For reduction of most kinds of noise caused when equipments are connected. For helping to ensure Electromagnetic Compatibility (EMC) standards compliance. May be used for balanced to unbalanced conversion and vice versa.

FEATURES

Mumetal core for minimal harmonic distortion. Internal electrostatic shield for high common mode noise rejection. Mumetal can for magnetic shielding. High signal level capability.

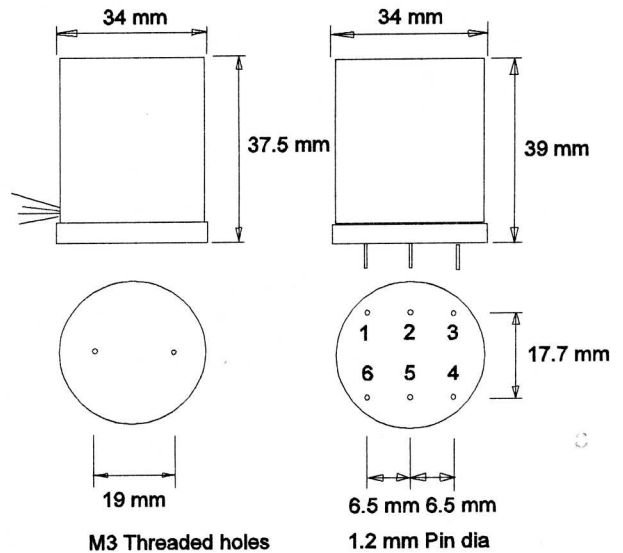
RATIO	1ct:1
MAXIMUM LEVEL 0.5 % THD at 50 Hz (40 ohm source)	+31 dBu
DISTORTION at 50 Hz (40 ohm source)	0.3% at +18 dBu
INSERTION LOSS 600 ohm source 600 ohm load	1.46 dBu
INPUT/OUTPUT BALANCE	>45 dB
FREQUENCY RESPONSE 10k Ohm source 10k Ohm load	+/- 0.25 dB 10 Hz to 30 kHz

Typical frequency response measured with 10k Ohm source and 10k Ohm load

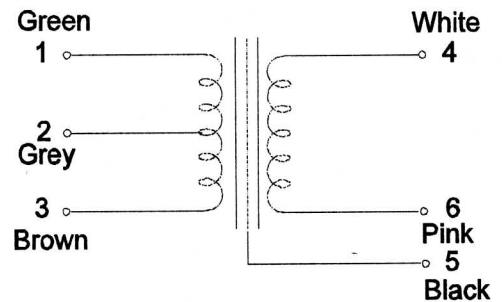


Sowter Type 3232 10K / 10K High Level Bridging Transformer

Package options



Connections



PACKAGE OPTIONS	Part Number	
Coloured Leads	3232-F	
PCB Mounting	3232-C	

Works: E A Sowter Ltd
PO Box 36 IPSWICH
IP1 2EL ENGLAND
TEL: +44 (0)1473 252794
FAX: +44 (0)1473 236188

SOWTER EST. 1941
TRANSFORMERS

Technical Support:
Brian Sowter
Eur Ing FIEE MAES
TEL: +44 (0)1962 620135
FAX: +44 (0)1962 870299