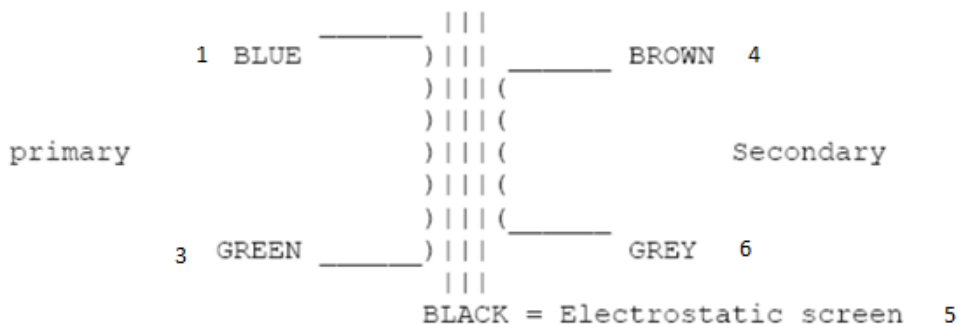
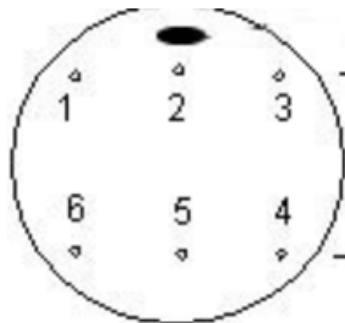


1303f



1303 Output transformer for Neumann U47 or U87 Microphone

Ratio 9:1. Sowter designed transformer similar to Neumann U1 with a single secondary winding. Internal electrostatic shield to ensure good common mode rejection. Mumetal can 34 mm dia. x 24 high with colour coded leads



Style b and c