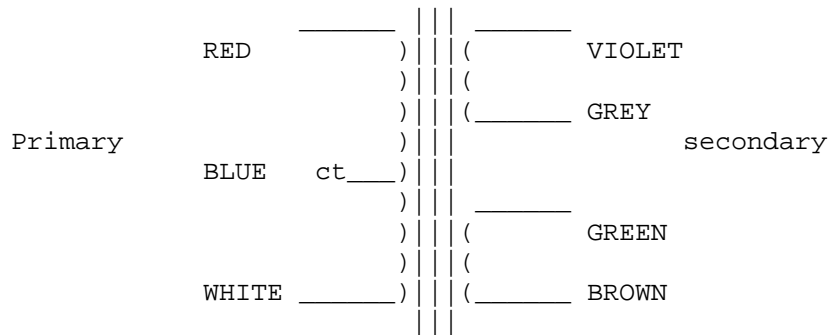


1232



**1232 Altec 436C Line output (Original)**

23kCT/150+150 ohm output transformer for driving a balanced line from push-pull 6CG7 etc.  
100% M6 core for high level capability and low distortion. Twin secondaries for 600/150 ohm outputs.  
Voltage ratio 12.4CT:1+1 Max dc per side of primary 20 mA. Similar to Peerless 16402.  
Colour coded leads.