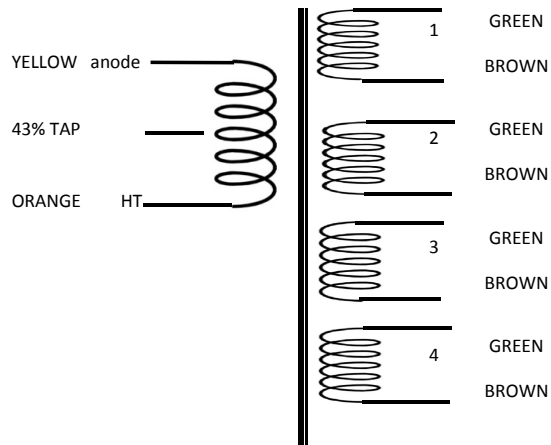


1097



There are 4 equal secondaries that can be arranged for loads of 0.5, 2, 4 and 8 ohms thus:

