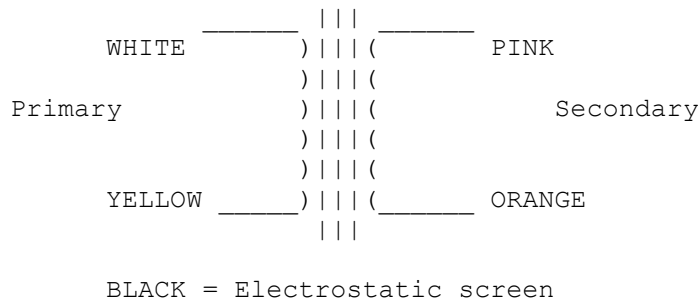


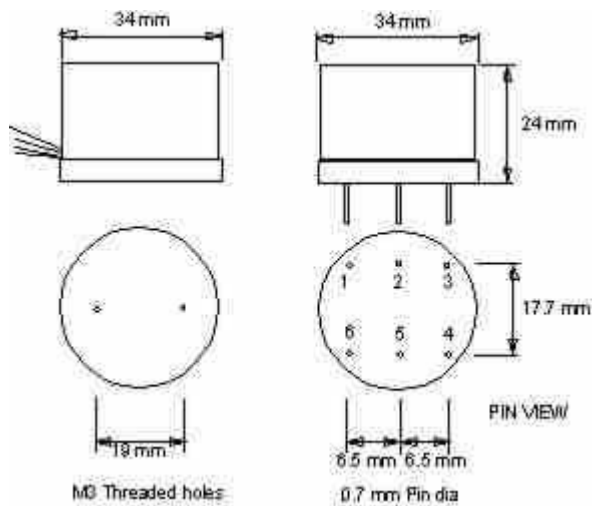
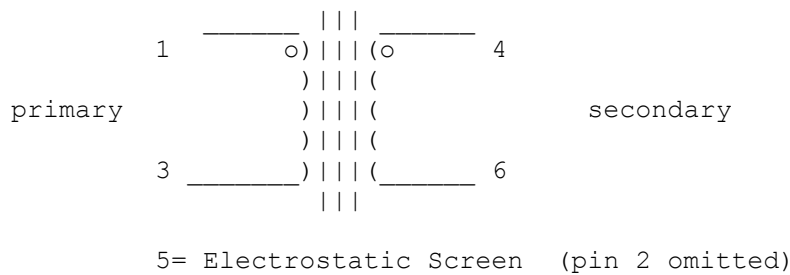
1090



1090 1:2 Moving Magnet Cartridge Transformer

Transformer for use with MM cartridges with an internal impedance of around 500 Ohms. Cartridge loading will be greater than the 47K ohms normally recommended by the manufacturers of MM cartridges but this transformer gives significant sonic improvements as well as some useful gain. Two transformers are required for stereo.

1090c



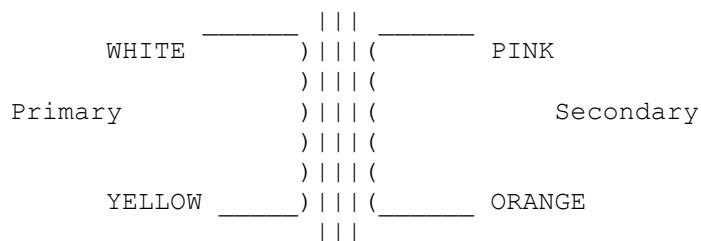
Style f (flying leads)

style c (pcb pins)

1090 1:2 Moving Magnet Cartridge Transformer

Transformer for use with MM cartridges with an internal impedance of around 500 Ohms. Provides 6 dB of gain and ground isolation. Customers report significant sonic improvements. Secondary needs to be connected to a high impedance input. PCB pins style c. Two transformers are required for stereo.

1090z



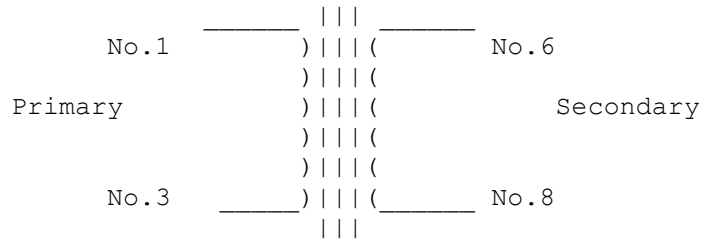
BLACK = Electrostatic screen

1090 1:2 Moving Magnet Cartridge Transformer

Transformer for use with MM cartridges with an internal impedance of around 500 Ohms. Cartridge loading will be greater than the 47K Ohms normally recommended by the manufacturers of MM cartridges but this transformer gives significant sonic improvements as well as some useful gain. Two transformers are required for stereo.

[OCC wire option](#)

1090g



No.5 = Electrostatic screen

1090 1:2 Moving Magnet Cartridge Transformer

Transformer for use with MM cartridges with an internal impedance of around 500 Ohms. Cartridge loading will be greater than the 47K ohms normally recommended by the manufacturers of MM cartridges but this transformer gives significant sonic improvements as well as some useful gain. Two transformers are required for stereo.

Style 'g' is fitted to an octal plug.