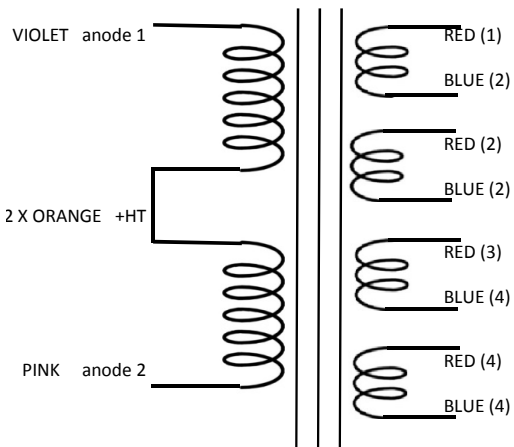


COLOUR CODE

1054



There are 4 equal secondaries that can be arranged for loads of 1, 4, 8/9 or 15/16 ohms thus:

