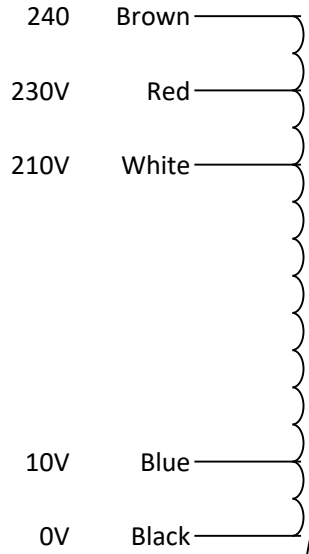




Connection Diagram

Type: 0703

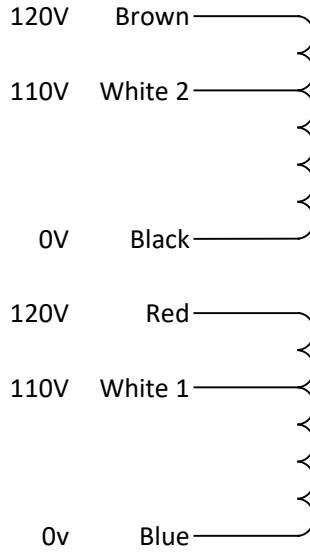
EU Primary



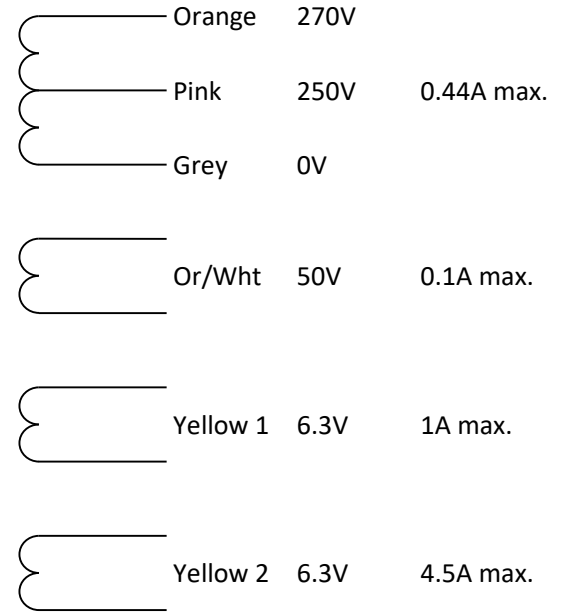
Yel/Grn Electrostatic Screen

OR

WW Primary



Yel/Grn



Notes

Visual identification – Worldwide version has two white leads, European version has one.

Worldwide connection options:

- 110v – N: join Blue and Black, L: join White 1 and White 2, isolate Red and Brown
- 120v – N: join Blue and Black, L: join Red and Brown, isolate White 1 and White 2
- 240v – N: Blue, L: Brown, join Red and Black, isolate White 1 and White 2

European connection options:

For mains voltages of 210v, 230v or 250v use Black as Neutral. For 200v, 220v or 240v, use Blue.

ALWAYS isolate all unused leads SEPERATELY FROM EACH OTHER

Please Note: A certain amount of operational hum is prevalent in mains transformers, which may be amplified when fixed to met alwork. A rubber gasket, washers or similar may be desirable to quieten this, however a good connection MUST be maintained between the transformer and the supply Earth.