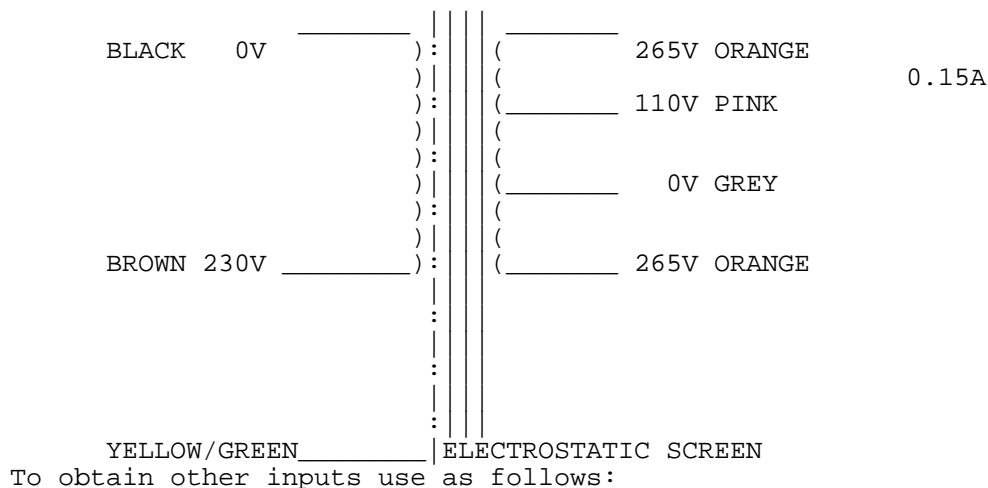


0304



10V tap in place of 0V terminal thus:

BLUE/BROWN = 240V BLUE/RED = 220V BLUE/WHITE = 200V

* FOR WINDING WITH SOLID CORE WIRE AND SLEEVING

You will note that the 6.3V winding is built up in sections and the two wires in the Green sleeve must always be joined to make the circuit complete. The solid wire inside the sleeving is coated with polyurethane and needs to be stripped away and tinned if the leads are shortened.

Note: A certain amount of mechanical hum is prevalent in mains transformers and can be amplified when bolting to your metal work. Therefore you may find a small rubber gasket or similar material is worth fitting to quieten this hum to its' minimum, but please ensure the frame is grounded to the supply safety earth.